



ARTICLE NUMBER
P-2000-2
ARTICLE NAME
Salladsskål Lock
LINK TO OUR CATALOGUE

PRODUCT

Capacity:	
Netweight g:	9,5
Material:	R-PET 100% R-PET
Color:	Transparent
Food approved:	Yes ISO22000 Cert
Temp:	-40 / +70



WELLBOX

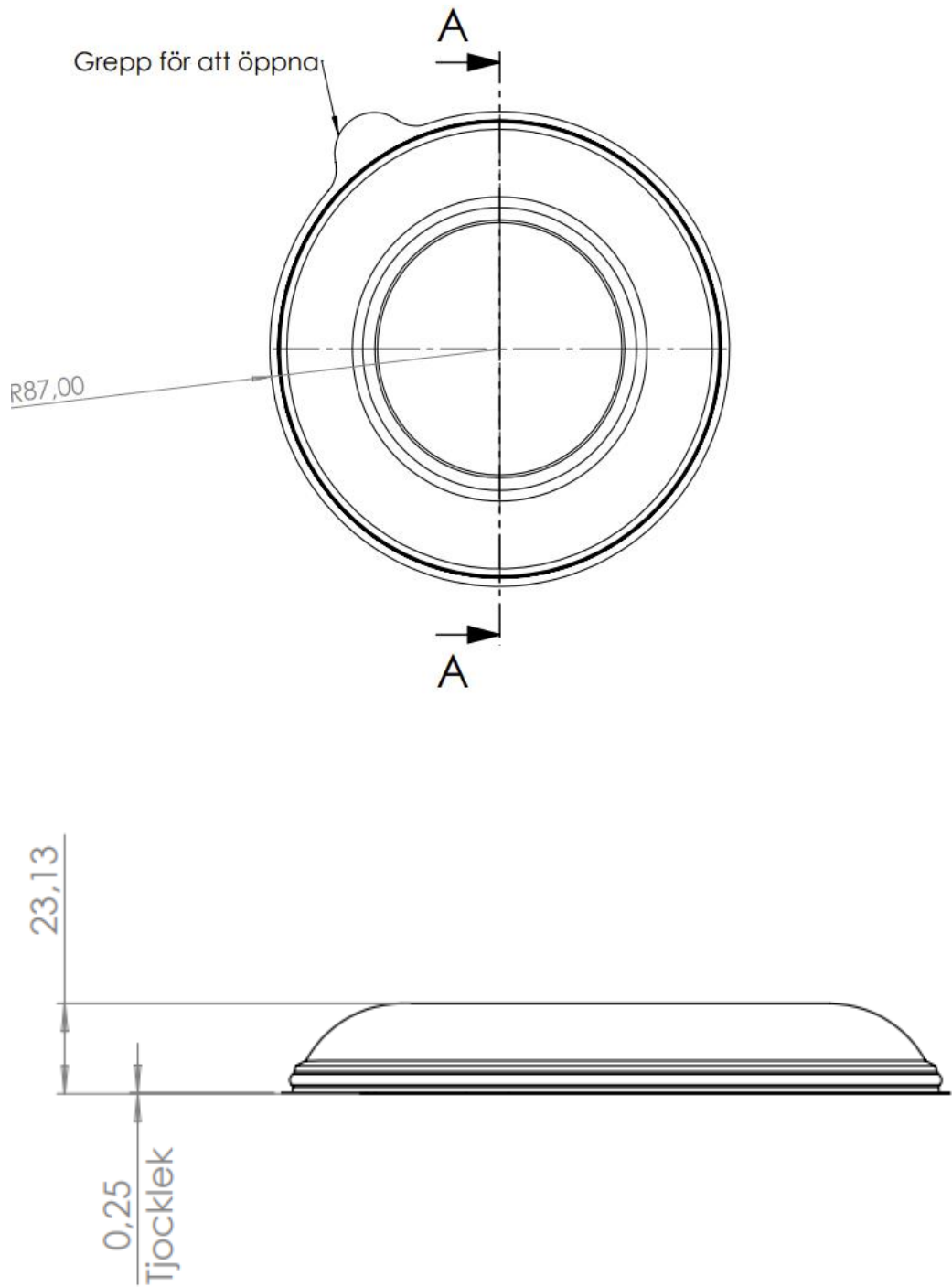
Box dimensions	Length:	Depth:	Height:
mm	780	390	480
Pcs/box:	660		
Innerbag (PE) g:	40		
Box weight g:	870		
Total box weight kg:			7,18
GS1-art: (GTIN)	7350126540281		



PALLET EUR ISPM Cert

Box/layer:	3
Layers/pallet:	4
Box/pallet:	12
Product/pallet:	7 920
Pallet weight kg (excl pall):	86,16
Pallet height cm (excl pall):	1920

INP Solutions AB • Blockvägen 7 • 341 32 Ljungby
 E-mail: cb@inp.se • Website: INP.se



PRODUCT SHEET/DRAWING BELONGS TO INP AB AND IS CONFIDENTIAL



2025-06-12 11:02

INP P-2000-2 Salladsskål Lock ENG

NTIAL