



ARTICLE NUMBER

P-2000-1

ARTICLE NAME

Salladsskål GK

[LINK TO OUR CATALOUGE](#)

PRODUCT

Capacity:	
Netweight g:	17,2
Material:	R-PET 100% R-PET
Color:	Transparent
Food approved:	Yes ISO22000 Cert
Temp:	-40 / +70



WELLBOX

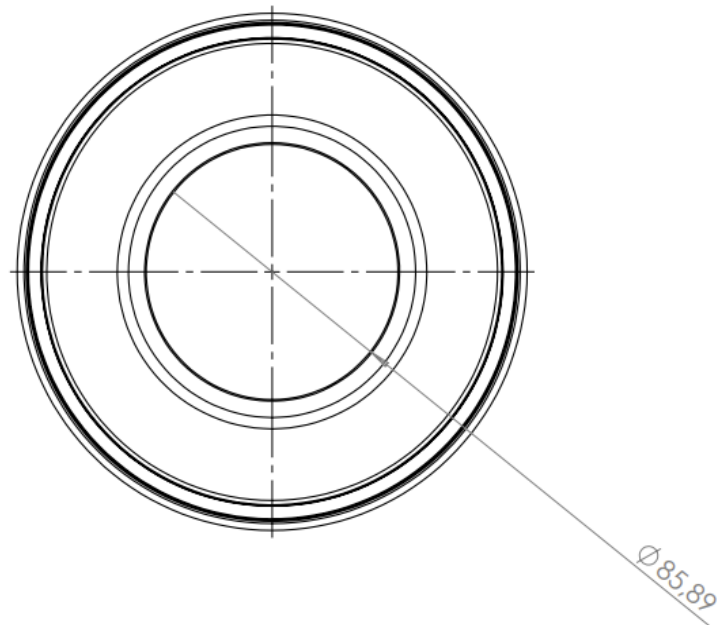
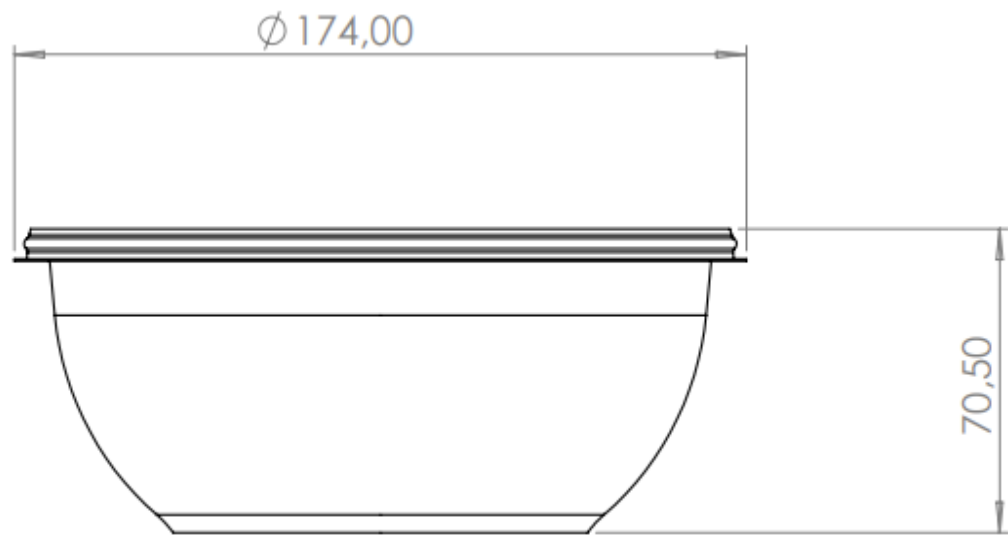
Box dimensions	Length:	Depth:	Height:
mm	780	390	480
Pcs/box:	660		
Innerbag (PE) g:	40		
Box weight g:	870		
Total box weight kg:	12,262		
GS1-art: (GTIN)	7350126540274		



PALLET EUR ISPM Cert

Box/layer:	3
Layers/pallet:	4
Box/pallet:	12
Product/pallet:	7 920
Pallet weight kg (excl pall):	147,144
Pallet height cm (excl pall):	1920

INP Solutions AB • Blockvägen 7 • 341 32 Ljungby
E-mail: cb@inp.se • Website: INP.se





2025-06-12 11:09

INP P-2000-1 Salladsskål GK ENG

NTIAL